

23.000 SERIES

ROCKER SWITCHES

SPECIFICATIONS:

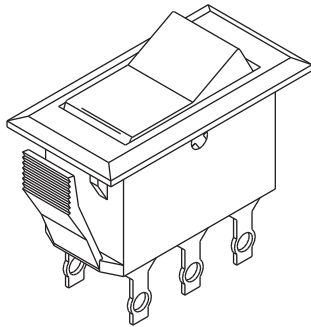
ELECTRICAL CHARACTERISTICS: 10A with resistive load 120VAC or 6A with resistive load 250VAC (Q contact).

CONTACT RESISTANCE: maximum of 20 miliohms with 1A DC.

INSULATION RESISTANCE: minimum of 1.000 megaohms.

DIELECTRIC WITHSTAND: 1.000V(RMS) for 1 minute (minimum).

OPERATION TEMPERATURE: from 0° to 55°C



REFERENCES

Single-Pole

Reference			
23.101	ON	-	ON
23.103	ON	OFF	ON
23.105	(ON)	OFF	(ON)
23.107	ON	OFF	(ON)
23.121	OFF	ON	ON
23.122	OFF	ON	(ON)
*23.123	ON	-	OFF
23.127	(ON)	-	OFF
23.108	(ON)	-	ON

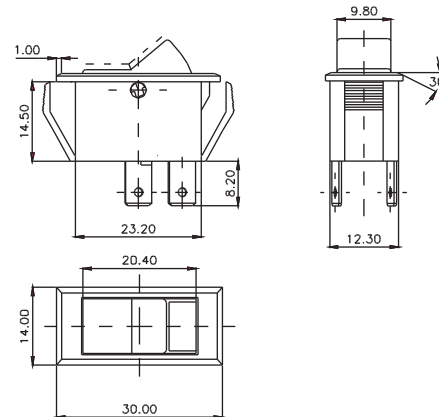
Double-Pole

Reference			
23.201	ON	-	ON
23.203	ON	OFF	ON
23.205	(ON)	OFF	(ON)
23.207	ON	OFF	(ON)
23.223	ON	-	OFF

() Momentary

* Possible options with lamp 120/250 VAC.

Note: For other tensions call us.

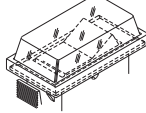
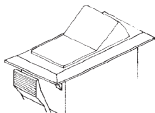


FRAME

M1# - 31.1mm x 16,0mm

M2# - 30,0mm x 14,0mm

M4# - with cover



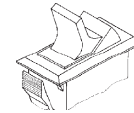
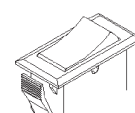
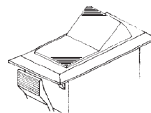
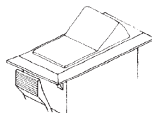
ACTUATORS

T1# - without lamp

T2# - illuminate

T3# - round rocker

A1# - lever



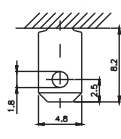
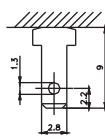
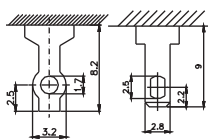
Note: The actuator T2# must be used only for reference 23.123.

TERMINALS

*S1 - solder

E1 - faston 2,8 x 0,5

E2 - faston 4,8 x 0,5



Note: Terminal S1 is supplied according to our available in the stocks.
The E1 terminal is not available for reference 23.121

CONTACTS

S - Standard

6A with resistive load - 120VAC

3A with resistive load - 250VAC.

Q

10A with resistive load - 120VAC

6A with resistive load - 250VAC.

- COLORS

Note: Substitute # by the code of requested color.

A - blue

B - white

C - yellow

D - green

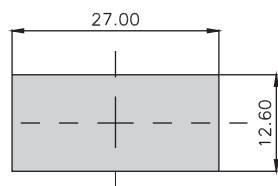
E - red

F - black - (standard)

G - gray

H - brown

CUT FOR FIT



SELECTION GUIDE

□□□□□	□□□	□□□	□□	□
Reference	frame	actuator	terminal	contact
	M1#	T1#	S1	S
	M2#	T2#	E1	Q
	M4#	T3#	E2	
		A1#		

Note: If you do not substitute the symbol # by the code color, it will imply the standard black color F.