

SWITCH SET FOR APPLIANCES

- Main application: electric window blinds
- For mounting in 4x2" size boxes
- Composed of plate, bracket and switch single-pole on/off/on
- Satin finish

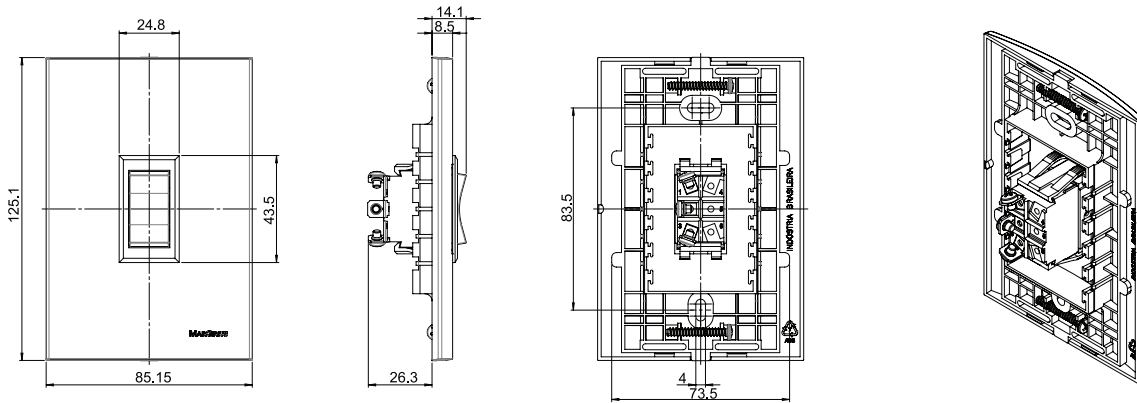


REFERENCES

Reference			
14103	ON	OFF	ON
14105	(ON)	OFF	(ON)

() Momentary

DIMENSIONS (mm)



ELECTRICAL CAPACITY

B Contact

5A with resistive load 250V~

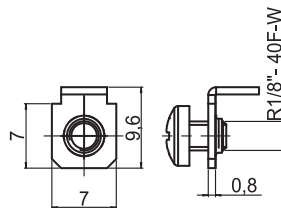
Q Contact

15A with resistive load 120V~

10A with resistive load 250V~

TERMINALS

P1 - Screw



COLORS

White
Ebony (black)

SELECTION GUIDE

Set	<input type="checkbox"/> <input type="checkbox"/> <input type="checkbox"/> <input type="checkbox"/> <input type="checkbox"/> Clean	<input type="checkbox"/> <input type="checkbox"/> <input type="checkbox"/> <input type="checkbox"/> <input type="checkbox"/> Color	<input type="checkbox"/> Contact
Reference			
14103		White	B
14105		Ebony	Q

Note: Fixing screws are included with the product.