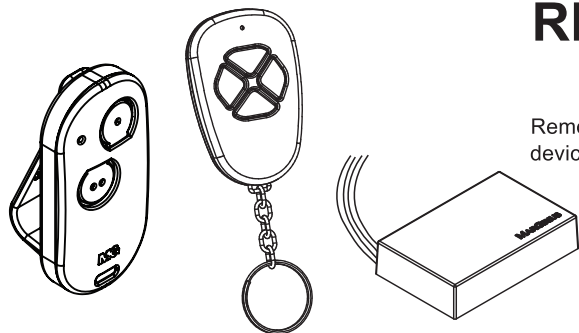


REMOTE CONTROLS



Remote controls for MarGirus automation systems and commercial devices with compatible technology.

SPECIFICATIONS	
Power supply	3V Battery (CR2032)
Encoding type	Fixed code
Operation frequency	433,92 MHz

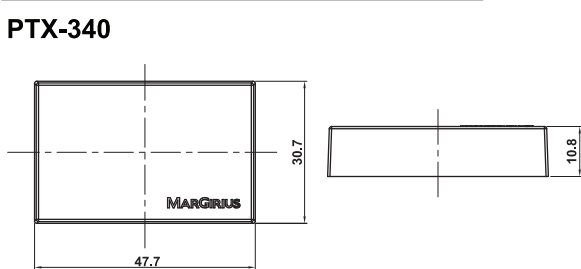
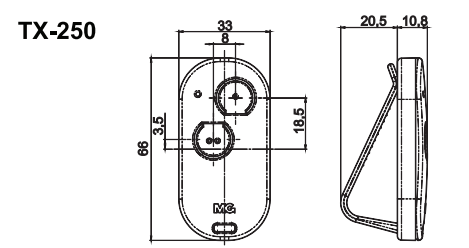
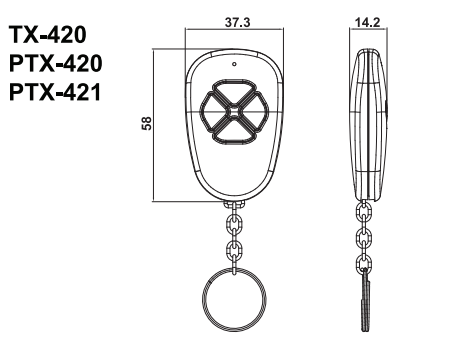
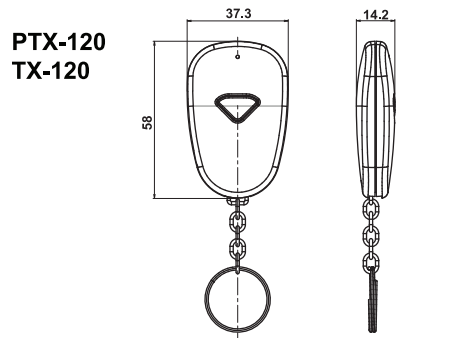
MODEL	KEYS	TECNOLOGY	COMPATIBLE SYSTEMS	DRAWING	COLOR
PTX-120 Premium	1	FSK	PTRX-111 PTRX-141 PTRX-151		White
PTX-420 Premium	4	FSK	PTRX-211 PTRX-431		White
PTX-421 Premium	4	FSK (3 KEYS) + OOK (1 KEY) ¹	PTRX-331		Grey
PTX-340 ² Premium	-	FSK	PTRX-111 PTRX-431 PTRX-211 PTRX-141 PTRX-331 PTRX-151		-
TX-120 Standard	1	OOK ¹	TRX-111		Black
TX-420 Standard	4	OOK ¹	TRX-311		Black
TX-250	2	OOK	Commercial devices ³		Grey / Black or Black

1- The OOK key allows the activation of several commercial devices, such as electronic gates, alarm systems, among others, since they are compatible. Consult the manufacturer for more information.

2- Actuator module with 3 inputs for use with momentary external switches. It allows the activation of MarGirus receptors without the wiring the module to the receiver, making installation easier.

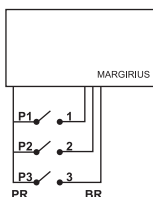
3- Electronic gates, electric fences, alarm centers and other equipment with compatible technology (HT6P20).

DIMENSIONS



Wiring diagram (actuator module)

Black wire (PR): Common
White wires (BR): Individual connections to the switches P1, P2 e P3: momentary switches (bell type)



SELECT GUIDE

REMOTE CONTROL	TX - □□□	REMOTE CONTROL	PTX - □□□
Model	120	Model	120
	420		420
	250		421
			340*

* The actuator module is not supplied with the momentary switches.

