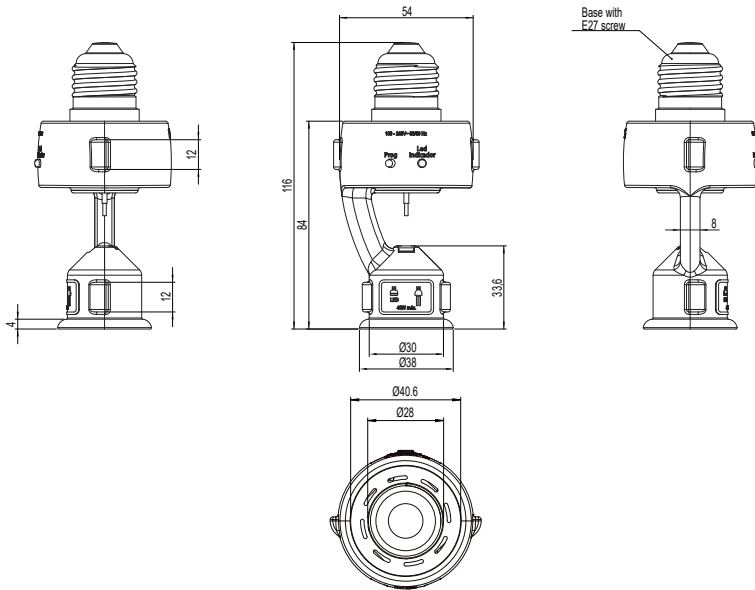


REMOTE CONTROL SET PTRX-151 WITH E27 SOCKET

- Easy and practical residential/commercial automation system that allows the activation of lamps by remote control.
- *Easy On System*: reduces the starting current of the lamp, increasing the useful life of the product.
- Easy installation.
- Restricted radiation equipment approved by ANATEL (Brazilian Agency of Telecommunications).



DIMENSIONS



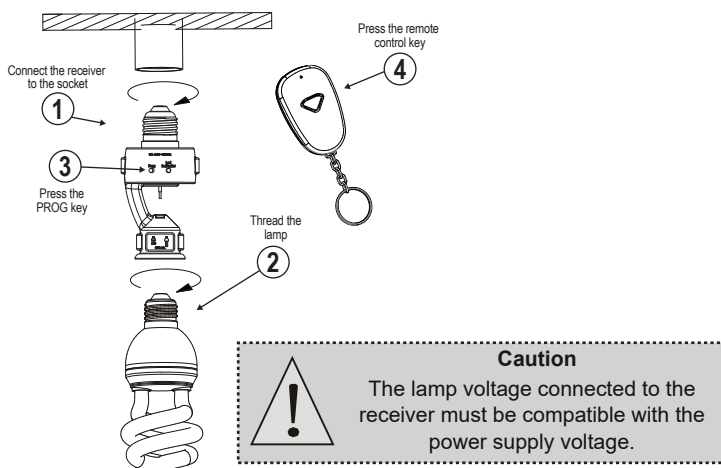
POWER CAPACITY

Type of lamp	Voltage 127V~ / 220V~
Incandescent	100W
Halogen	60W
Fluorescent / Compact	48W
LED	48W

TECHNICAL SPECIFICATIONS

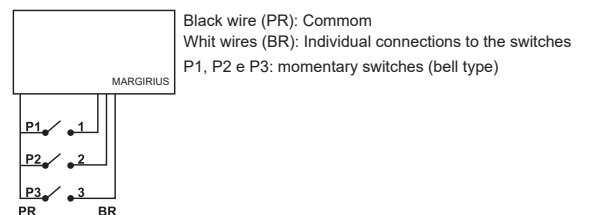
- Supply Voltage: automatic bivolt (100 to 240VAC)
- Encoding type: Code Learning
- Operation frequency: 433,92MHz
- Reach: 20 meters without obstacles
- Operating temperature: 0 to 40°C
- Consumption at rest: <0,35W
- Maximum lamp weight: 300g
- Maximum of 40 programmable controls

INSTALLATION AND PROGRAMMING



ACTUATOR MODULE ⁽¹⁾

To operate the product with momentary electrical switches, purchase the MarGirius actuator module, which will allow control without connecting wires from the switch to the receiver, simplifying the electrical installation. The module allows the control of up to 3 receivers.



SELECT GUIDE

REMOTE CONTROL SET ⁽²⁾

□□□□-□□□□
Model
PTRX-151

¹ The PTX-340 actuator module is sold separately.

² The PTRX-151 Remote Control Set comes with a PTX-120 remote control of 1 key.