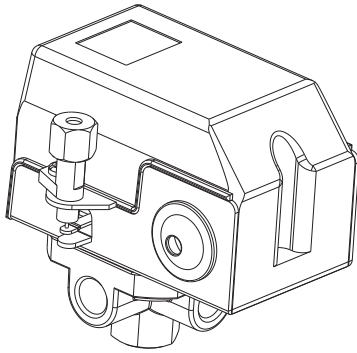


PRESSURE SWITCH

PRESSURE SWITCHES FOR AIR AND WATER

- Body rust proof.
- Double-pole contacts of cadmium oxide.
- Movable contact which can resist against the constant vibration of the air compression.
- Grounded screw.
- Valve of automatic relief.
- Silence drive.



FLANGES	
351xx	1 way
352xx	2 ways
353xx	3 ways
354xx	4 ways

Substitute xx by the code of requested pressure.

PRESSURE CODE	PSI		BAR		kgf/cm ²	
	Min.	Max.	Min.	Max.	Min.	Max.
01	20	40	1,37	2,75	1,40	2,81
02	30	50	2,06	3,44	2,10	3,51
03	40	60	2,75	4,13	2,80	4,21
04	50	80	3,44	5,51	3,51	5,62
11	60	80	4,13	5,51	4,21	5,62
16	60	100	4,13	6,89	4,21	7,03
05	70	110	4,82	7,58	4,92	7,73

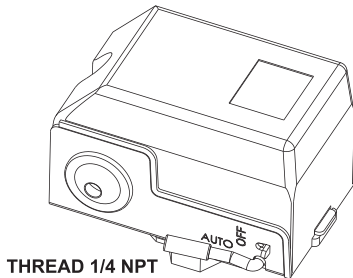
PRESSURE CODE	PSI		BAR		kgf/cm ²	
	Min.	Max.	Min.	Max.	Min.	Max.
15	80	110	5,51	7,58	5,62	7,73
06	80	120	5,51	8,27	5,62	8,43
07	90	120	6,20	8,27	6,32	8,43
10	100	150	6,89	10,34	7,03	10,54
08	120	160	8,27	11,03	8,43	11,25
13	125	175	8,61	12,06	8,79	12,30
12	135	175	9,30	12,06	9,49	12,30

DISARM

Its function is to turn off the pressure switch contacts mechanically. To maintain it in normal operation the lever should stay in AUTO position.

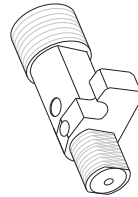
OPTIONS:

- CD - with disarm
- SD - without disarm



THREAD 1/4 NPT

AUTOMATIC RELIEF VALVE



OPTIONS:

- A - with relief valve for tube 1/4"
- B - with relief valve for tube 3/16"
- C - with relief valve for plastic tube 6mm
- SV - without relief valve

CONTACT

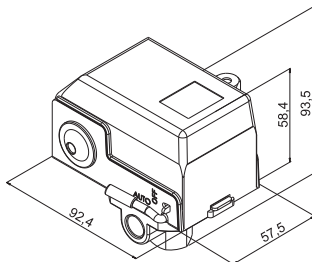
	SINGLE-PHASE		THREE PHASES
	125V	250V	250V
Q	2 CV	3 CV	5 CV

OPTIONAL - TF1

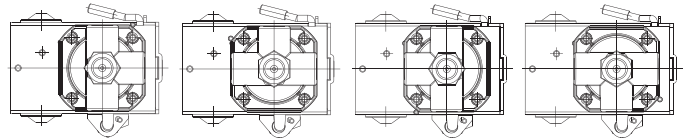


It is possible to use the screw to reduce the number of ways available.

DIMENSIONS

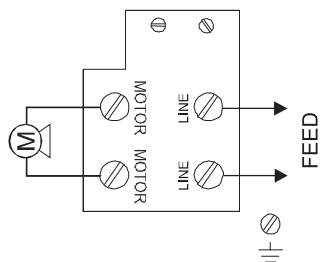


FLANGE POSITION



Note: Only for models with 4 ways.

DIAGRAM CONNECTION



SELECTION GUIDE

Flange	pressure	disarm	relief valve	contact	flange position 4 ways
□□□	□□	□□	□□	□	□
		CD	A	Q	1
		SD	B		2
			C		3
			SV		4

EX.: 35107 CDBQ

Pressure switch with flange of one way, disarm, relief valve for tube of 3/16", Electrical capacity of 5CV/ three phase (VAC) and pressure 90/120 PSI.