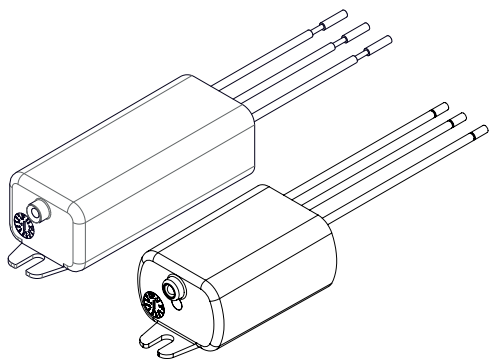


# COMPACT PHOTOELECTRONIC RELAY



For the automatic control of lamps, according to variations in natural light.

LN type relays (turn on at night), with contacts that remain on at night and off during the day.

Indicated for country houses, residences, parking lots, gardens, poles, condominiums and other places.

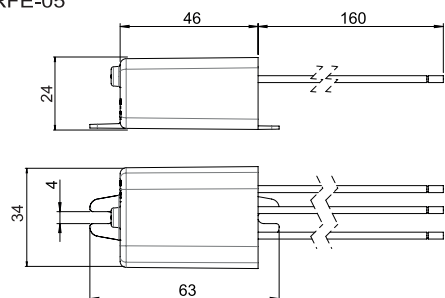
## MODELS:

Lamps Models	Incandescent or Mixed		LED*	Outher loads	
	127V~	220V~	127/220V~	127V~	220V~
<b>RFE-05</b>	250W	250W	70W	600VA	600VA
<b>RFE-10</b>	500W	500W	125W	1200VA	1200VA
<b>RFE-11</b>	1000W	1000W	200W	1200VA	1800VA

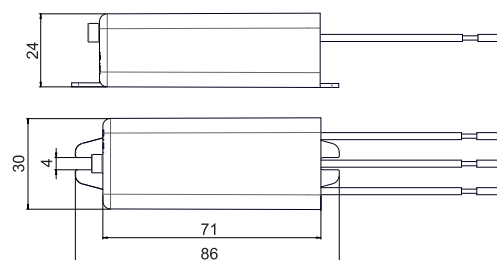
\* Do not install more than 7 lamps, fixtures or led reflectors in the same relay.

## DIMENSIONS

RFE-05

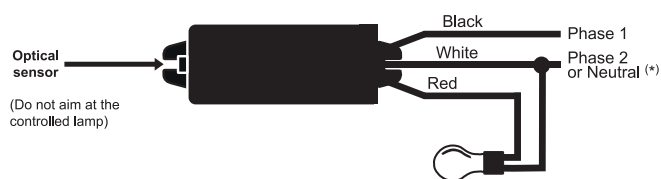


RFE-10 / RFE-11



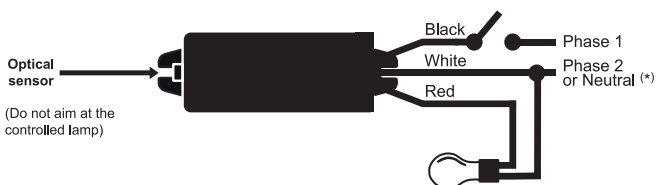
## WIRING DIAGRAM

For automatic command.



(\*) According to local power grid.

For automatic and manual control: the switch permits that the lamps stay off at night, if convenient.



The colors of the cables can be changed without prior notice. Check the product manual before installation.

## SELECTION GUIDE

RFE - □□

Model  
05  
10  
11