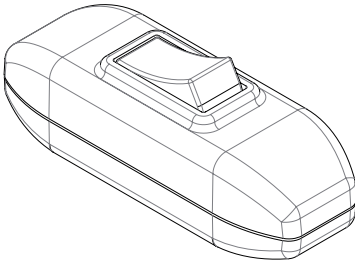


LINE CORD SWITCHES



For table lamps and other electric equipments.

- Models for center and end of cord
- Electrical capacity: 10A 250V~
- For parallel cables up to 2x1,5mm²
- Operating temperature: 0°C to 55°C



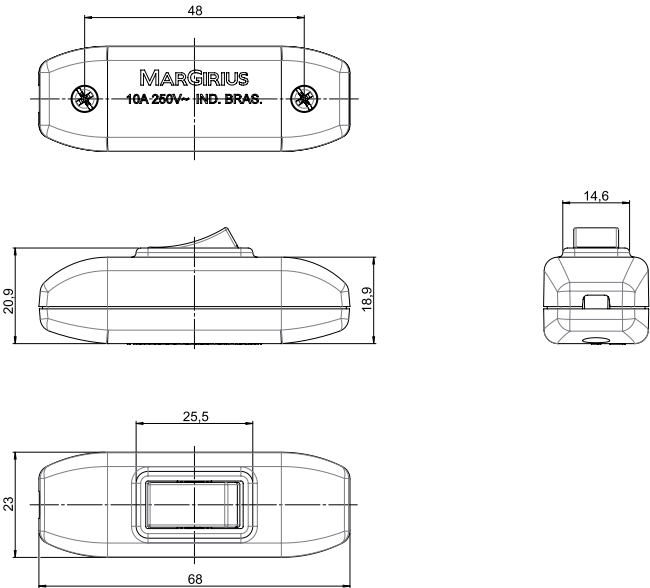
MODELS

Reference	POS1	POS2
ICC100	ON	OFF
IFC100		

ICC100: Center cord switch. Cable opening on both sides.

IFC100: End of cord switch. Cable opening on one side only.

DIMENSIONS (mm)



COLORS

- White
- Black
- Crystal

SELECTION GUIDE

□□□	100	▬	10A
Reference ICC IFC	Design	Colors White Black Crystal	Nominal current