

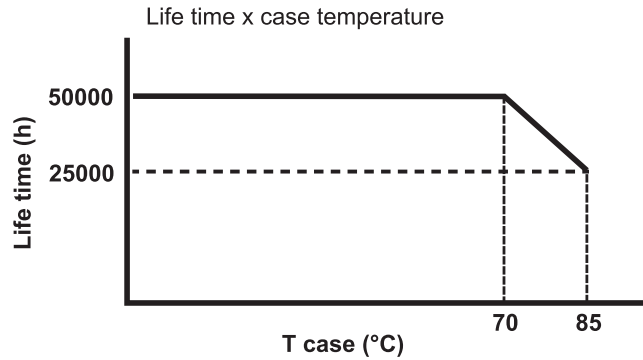
LED DRIVERS - CONSTANT VOLTAGE LDT-12 SERIES

For 12V led lamps and strip lights
 High efficiency
 Long life: 50000h with $T_c = 70^\circ\text{C}$
 Short circuit, overload and open circuit protections
 Manufactured with high quality electronic components



LDT-12 SERIES

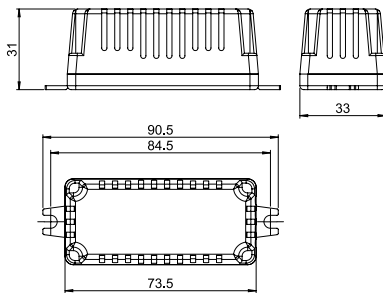
- Supply voltage: 100-240V~ 50/60Hz
- Output constant voltage: 12V $\overline{\text{---}}$
- Maximum environment temperature (T_A): 5 to 50°C
- Maximum enclosure temperature (T_c): 85°C



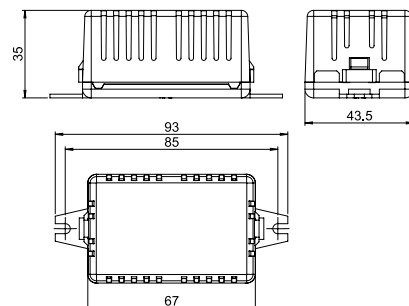
Product	Maximum output power (W)	Output voltage (V $\overline{\text{---}}$)	Power factor	Maximum output current (mA)	Maximum input current (A)	Efficiency 127V (%)	Efficiency 220V (%)	THD (%)	Degree of protection
LDT-12	5	12	0,5	420	0,10 0,07	82	83	168	IP20
LDT-12	15	12	0,5	1250	0,23 0,14	85	87	151	IP20
LDT-12	30	12	0,5	2500	0,50 0,34	85	86	187	IP20

DIMENSIONS

MODEL 5W

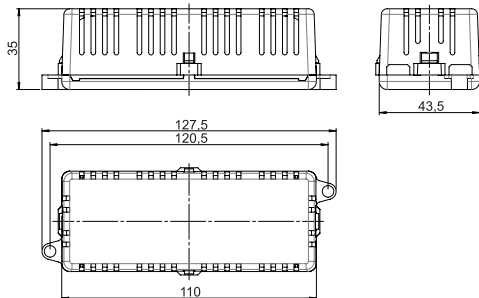


MODEL 15W

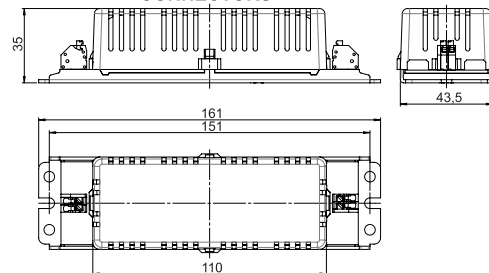


MODEL 30W

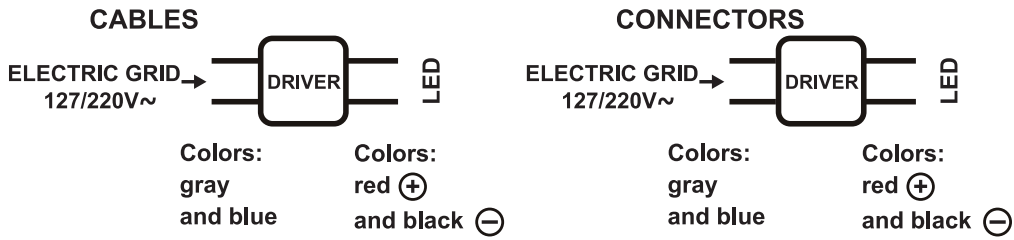
CABLES



CONNECTORS



WIRING



POWER FACTOR BF – Low factor (0,5)	VOLTAGE 6 – Autovolt (100 to 240V~)	OUTPUT POWER P1 – 5W P3 – 30W P2 – 15W	
CIRCUIT I1 – Isolated (galvanic isolation)	DIMERIZATION D0 – Non-dimmable	OUTPUT C1- Cables C2- Connectors	DEGREE OF PROTECTION G1 – IP20

SELECTION GUIDE

LDT -	□□	□□	□	□□	□□	□□	□□	□□
	output voltage 12V~	power factor BF	input voltage 6 - autovolt	maximum output power P1 - 5W P2 - 15W P3 - 30W	circuit I1 - isolated	dimerization D0 - non-dimmable	output C1 - cables C2 - connectors*	degree of protection G1 - IP20

*Option available on 30W model only.