

HH SERIES

SLIDE SWITCHES

SPECIFICATIONS:

ELECTRICAL CHARACTERISTICS : 10A with resistive load 120VAC and 5A with resistive load 250VAC. (Q contact)

CONTACT RESISTANCE: maximum of 20 miliohms with 1A DC.

INSULATION RESISTANCE: minimum of 1.000 megaohms.

DIELECTRIC WITHSTAND: 1.000V(RMS) for 1 minute (minimum).

OPERATION TEMPERATURE: from 0°C to 55°C.



Certified Product *

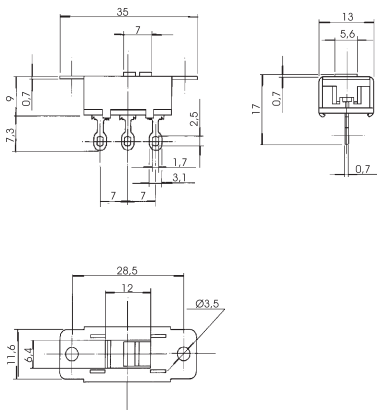


* Call us

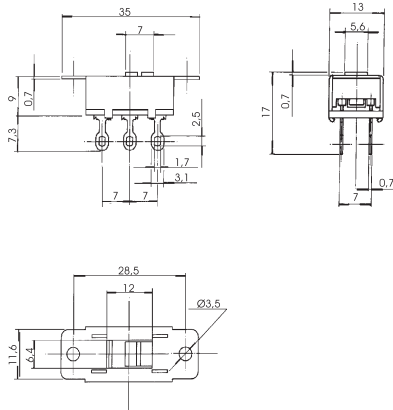
REFERENCES

Reference			Poles
HH - 101	On	On	One-pole
HH - 201	On	On	Double-pole
HH - 401	On	On	Four-pole

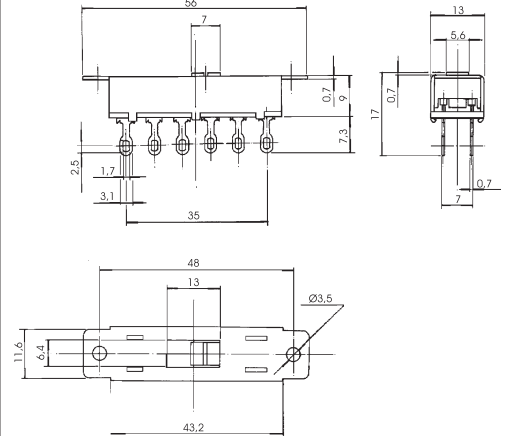
HH-101



HH-201



HH-401



FASTENING

SR1 - thread 1/8".

SR2 - thread 3,0 mm.

SF1 - hole of 3,5 mm.
(standard.)

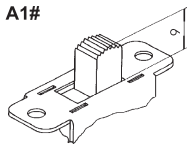
SF2 - hole with pull.

SF3 - hole of 4,5 mm.

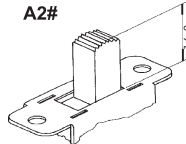
SF4 - hole of 4,0 mm.

ACTUATORS

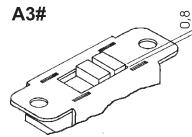
A1#



A2#



A3#



Note:

G3# - Actuator A3 with 110-220 marking

G4# - Actuator A3 with 127-220 marking

TERMINALS

S1 - solder
7,5 mm.



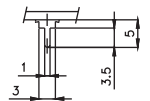
S2 - solder
5,0 mm



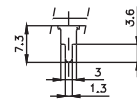
E1 - faston
2,8 x 0,5



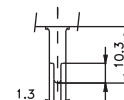
CC - PC



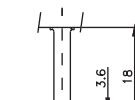
CI - PC



W1 - PC



W2 - PC



CONTACTS

S - Standard

3A with resistive load 120VAC

1A with resistive load 250VAC

Q

10A with resistive load 120VAC

5A with resistive load 250VAC

- COLORS

Note: Substitute # by the code of requested color.

A - blue

B - white

C - yellow

D - green

E - red

F - black - (standard)

G - gray

H - brown

SELECTION GUIDE



Reference



fastening



actuator



terminal



contact

SR1

SR2

SF1

SF2

SF3

SF4

A1#

A2#

A3#

G3#

G4#

S1

S2

E1

CC

CI

W1

W2

S

Q