

ELECTRIC SURGE PROTECTOR FOR LED LAMPS

For protection of led lamp against surges of voltage coming from the electrical grid, usually caused by atmospheric discharges.

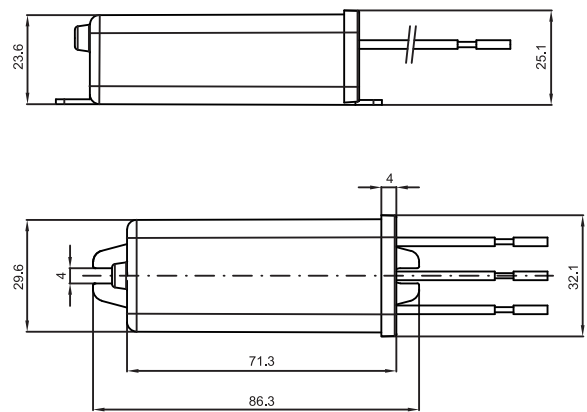


MODEL

PLL-2K5	
Type	DPS class III
Rated operating voltage - U _o	127/220V~ in 50/60Hz
Number of protected wires	3 (F1F2-F1T-F2T or F1N-F1T-NT)*
Maximum discharge current - I _{máx}	2,5KA (8/20us)
Typical response time	<25ns
Operating Temperature	0°C to 40°C
Protection technology	Metal oxide varistors (MOV)
Exposure level	Low
Protection level- Up	1,0KV
Maximum continuous operating voltage-U _c	275V~
Thermal protection of varistors	Yes
Active protection indication	Yes

* According to the local electrical system.

DIMENSIONS



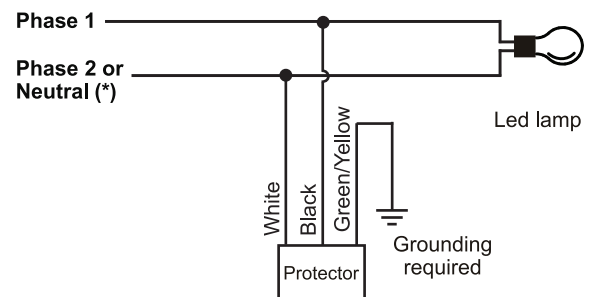
NOTES FOR INSTALLATION

- The protector must be connected directly in installations that are properly sized and grounded (in accordance with brazilian standard ABNT NBR 5410 - Low Voltage Electrical Installations).
- For greater efficiency of the protection system, it is recommended to use DPS in the electrical input or distribution switchboard associated with the electric surge protector for led lamps.
- It is mandatory to use an efficient grounding for the correct operation of the product. We recommend the ground connected at the point of entry of the energy distribution company.
- Use only in single-phase power grids of 127 or 220V ~. Do not install in Three-phase power grids.

NOTES ON THE LIGHT INDICATOR

- Led on (in operation): Indicates that the protector is in perfect working order.
- Led off (out of operation): Indicates that the protector has fulfilled its function, protecting the equipment connected to it. In this case, the protector should be replaced.

WIRING DIAGRAM



* According to the local electrical system.



Attention

Incorrect connection of the wires may cause improper operation or damage to the product. For further information, consult the MarGirius Technical Department.

RATED VOLTAGE

Bivolt (127/220V~).

SELECTION GUIDE

PLL-2K5



Notes:

- Cable colors may change without prior notice;
- See the product manual before installation.