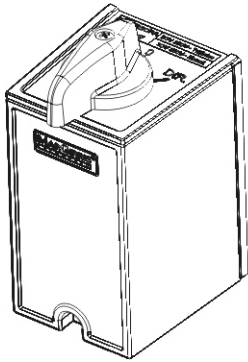
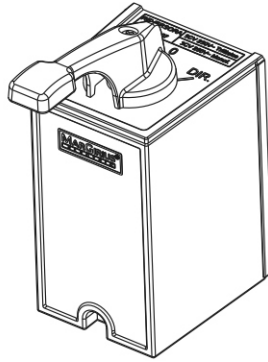


CS-602/603 CR-602/603 SERIES MOTOR SWITCHES



**CS-602
CR-602**



**CS-603
CR-603**

CS - On-off switch
CR - Reversible switch

REFERENCE

CS-602/603

Ref.	Circuit		
03	On	Off	On
23	On	Off	-

CR-602/603

Ref.	Circuit		
03	Left	Off	Right

SPECIFICATIONS

CURRENT *	SINGLE-PHASE HP		THREE-PHASE HP
	127VAC	220VAC	220VAC
30A	1,5	3	5

* Resistive load

- COLORS

C - yellow
F - black - (standard)

Note: knob color or levers substitute # by the code of requested color.

DIMENSIONS

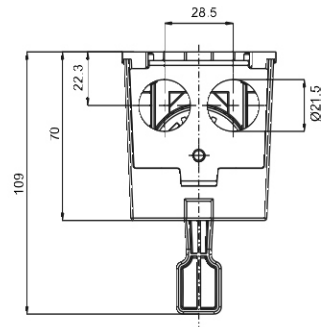
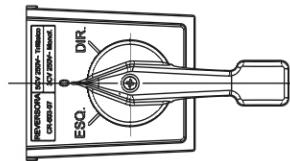
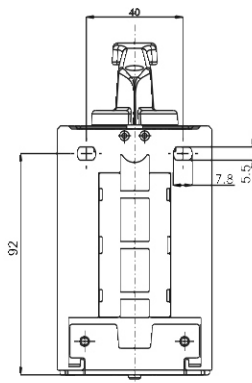
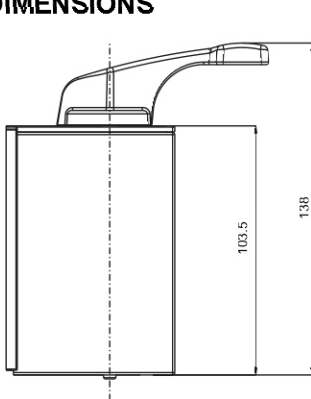
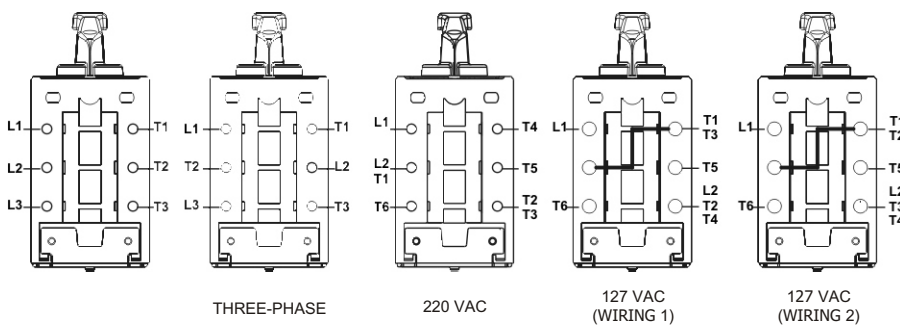


DIAGRAM CONNECTIONS

CS ON-OFF SWITCHES

CR REVERSIBLE SWITCHES



WIRING

Single-phase motors with wiring below

- 1) 127VAC L1 - T1, T3, T5 L2 - T2, T4, T6
- 2) 127VAC L1 - T1, T2, T5 L2 - T3, T4, T6

Note: Revert rotation: change T5 to T6.

SELECTION GUIDE

Function	Actuator	Circuit	Color
CR	602	03	C
CS	603	23	F