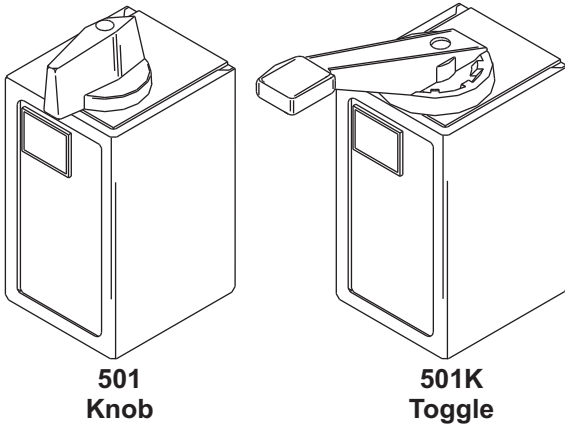


CS-501 / CR-501 SERIES

MOTORS SWITCHES

Manual On-Off, Transferring and Reversible Starter Switches for single-phase and three-phase motors.



**501
Knob**

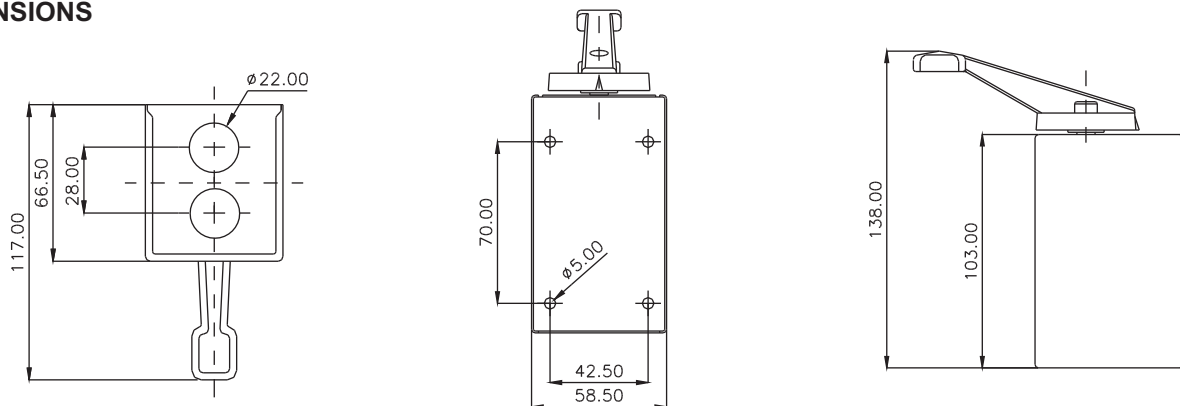
**501K
Toggle**

MODELS

Reference	Function	Actuators	Current ⁽¹⁾	Mounting	Type of motor	Wiring connection
CS-501	On - Off - On	Knob	15A	Mounting Box	Single-phase or Three-phase	I
CS-501K	On - Off - On	Toggle	15A	Mounting Box		I
CS-501A	On - Off - On	Knob	15A	Internal use ⁽²⁾		I
CS-501S Simple	On - Off	Knob	15A	Mounting Box		II
CS-501KS Simple	On - Off	Toggle	15A	Mounting Box		II
CR-501	Reversible	Knob	15A	Mounting Box		III
CR-501K	Reversible	Toggle	15A	Mounting Box		III
CR-501A	Reversible	Knob	15A	Internal use ⁽²⁾		III

(1) Electrical capacity in CV or HP, see electrical capacity table below.
 (2) Switches for internal use are provided without mounting box.

DIMENSIONS



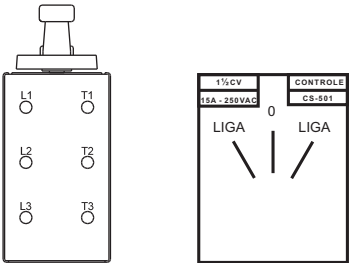
ELECTRICAL CAPACITY

CURRENT *	HP or CV. THREE-PHASE			HP or CV. SINGLE-PHASE	
	220V~	380V~	440V~	127V~	220V~
15A	1½	2	2	1/4	3/4

* resistive load

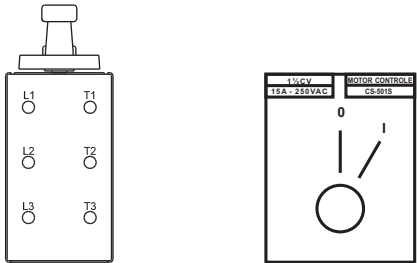
WIRING

I - ON - OFF - ON SWITCHES ⁽³⁾

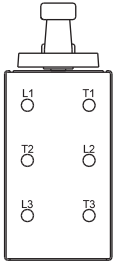


(3) "On" Positions simply for On - Off function, no reversible option is available, for example.

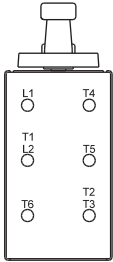
ON - OFF SWITCHES (SIMPLE)



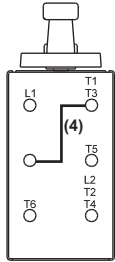
III - REVERSIBLE SWITCHES



THREE-PHASE
(220 / 380 / 440V~)



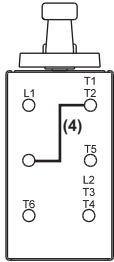
SINGLE-PHASE
220V~



SINGLE-PHASE
127V~

WIRING 1

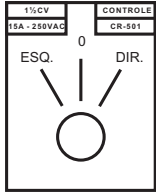
L1 - T1, T3, T5
L2 - T2, T4, T6



SINGLE-PHASE
127V~

WIRING 2

L1 - T1, T2, T5
L2 - T3, T4, T6



Revert rotation: change T5 to T6.

(4) External jumper not provided. Wiring must be done during installation.

NOTES

L1, L2, L3 - Phases
T1, T2, T3, T4, T5, T6 - Wiring