

CS-390 SERIES

PUSHBUTTON SWITCHES

SPECIFICATIONS:

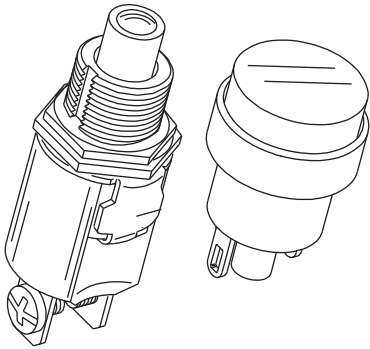
ELECTRICAL CHARACTERISTICS: 1A with resistive load 120VAC or 0,5A with resistive load 250VAC.

CONTACT RESISTANCE: maximum of 20 miliohms with 1A DC.

INSULATION RESISTANCE: minimum of 1.000 megaohms.

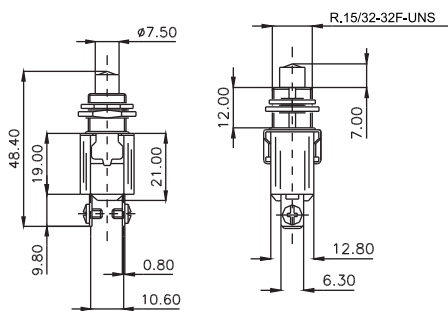
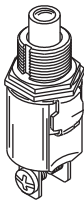
DIELECTRIC WITHSTAND: 1.000V(RMS) for 1 minute(minimum).

OPERATION TEMPERATURE: from 0°C to 55°C.



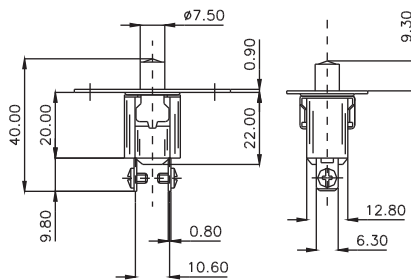
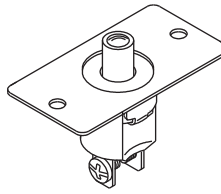
REFERENCES

CS-390

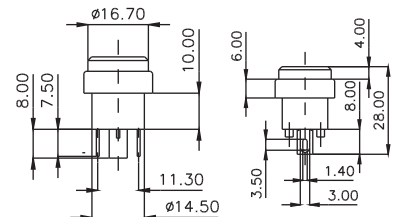
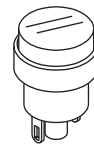


Actuation travel: CS-390 NA= 5,0mm (+/-0,5mm)
CS-390 NF= 0,1mm (+0,2mm)

CS-391



CS-392

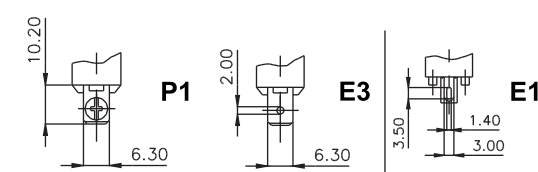


ACTUATORS

NA - normally opened
NF - normally closed

Note: For reference
CS-392 only NA

TERMINALS



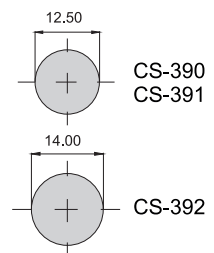
Only for CS-390 and CS-391

Only for
CS-392

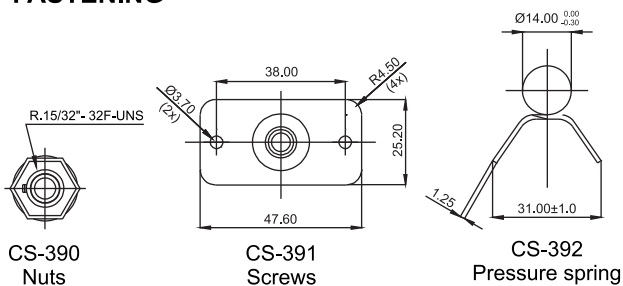
COLORS

- A - blue
- B - white
- C - yellow
- D - green
- E - red
- F - black - (standard)
- G - gray
- H - brown

CUT FOR FIT



FASTENING



SELECTION GUIDES

CS-390 and CS-391

□□□□□	□□	/	□□
Reference	actuator		terminal
	NA		P1
	NF		E3

CS-392

□□□□□	□□	/	□□	□	□
Reference	actuator		terminal	color frame	color actuator
	NA		E1		