

# CS-301B / CS-301C SERIES

## DOUBLE-PHASE TOGGLE SWITCHES

### SPECIFICATIONS:

**ELECTRICAL CHARACTERISTICS :** 15A with resistive load 120V~ or 10A with resistive load 250V~. (CS-301B)

**CONTACT RESISTANCE:** maximum of 50 miliohms with 1A DC.

**INSULATION RESISTANCE:** minimum of 1.000 megaohms.

**DIELECTRIC WITHSTAND:** 1.000V(RMS) for 1 minute (minimum).

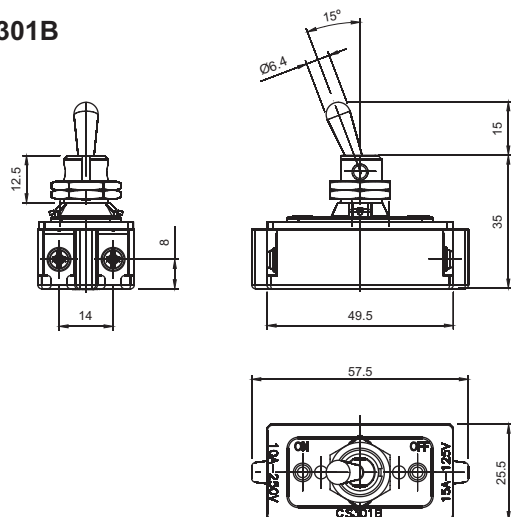
**OPERATION TEMPERATURE:** from 0°C to 55°C.



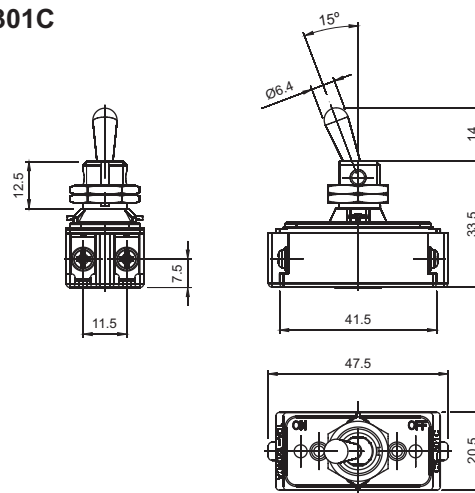
### REFERENCES

Reference	Type of toggle
CS-301B	Alavanca metálica
CS-301C	Alavanca metálica ou de poliamida.

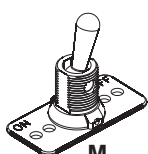
### CS-301B



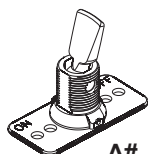
### CS-301C



### TOGGLES

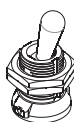


**M**  
Metallic



**A#**  
Polyamide

### NUTS



**B1**  
02 Metallic



**B2#**  
01 Polyamide  
01 Metallic



**B3#**  
01 Polyamide  
02 Metallic

### CONTACT

S - Standard

REF.	CURRENT *		CV	
	120V~	250V~	120V~	250V~
CS-301B	15A	10A	1CV	1CV
CS-301C	10A	6A	½CV	½CV

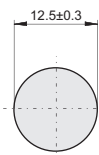
\* resistive load

### # - COLORS

Note: Substitute # by the code of requested color.

- A - blue
- B - white
- C - yellow
- D - green
- E - red
- F - black - (standard)
- G - gray
- H - brown

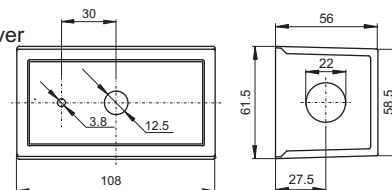
### CUT FOR FIT



### MOUNTING BOX

SS - without body, without cover  
SC - without body, with cover  
CC - with body, with cover

Note:  
Metallic box and plastic cover



### SELECTION GUIDES

#### CS301B

Reference    □    /    □□  
contact        S        mounting box  
   SS  
   SC  
   CC

#### CS301C

Reference    □□    □□□    □    /    □□  
toggle        nut        contact    mounting box  
                 M        B1        S        SS  
                 A#        B2#               SC  
                        B3#               CC

Note: B2 and B3 is only available for CS 301C.