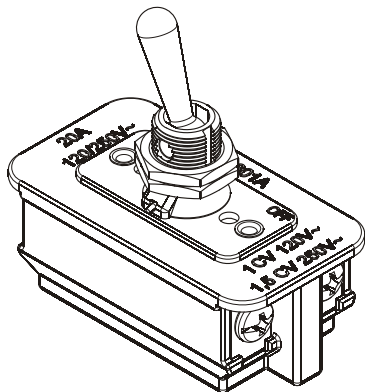


CS-301A SERIE

DOUBLE-PHASE TOGGLE SWITCHES



SPECIFICATIONS:

ELECTRICAL CHARACTERISTICS : 20A with resistive load
120/250VAC or 1,5CV in 250VAC. (S contact)

INSULATION RESISTANCE: minimum of 1.000 megaohms.

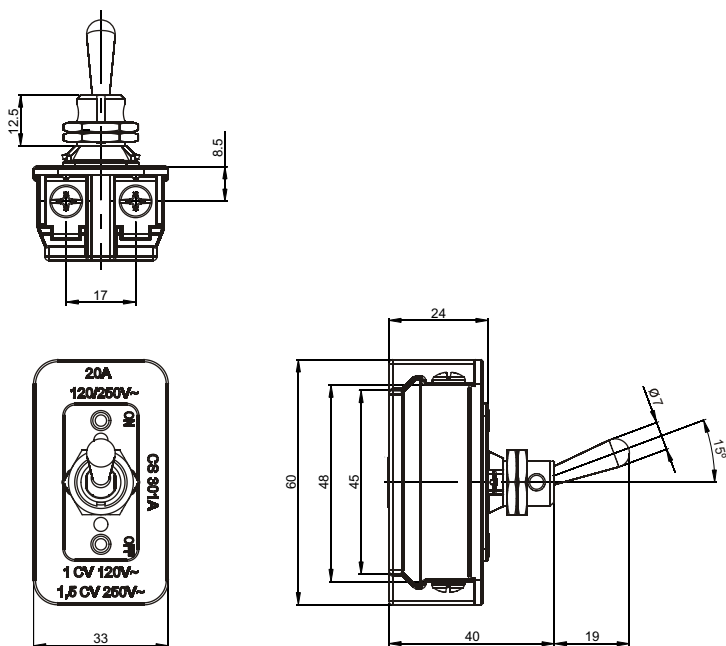
DIELECTRIC WITHSTAND: 1.000V(RMS) for 1 minute (minimum).

OPERATION TEMPERATURE: from 0°C to 55°C.

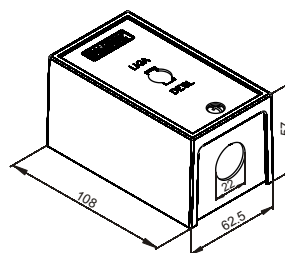
REFERENCES

Reference	Type of actuator
CS-301A	Metal alloy toggle

DIMENSIONS



MOUNTING BOX



CONTACT

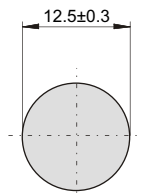
S - Standard
20A with resistive load in 120/250VAC
1CV in 120V~
1,5CV in 250V~

MOUNTING BOX

SS - without box, without cover
SC - without box, with cover
CC - with box, with cover

Note:
Metallic box and plastic cover.

CUT FOR FIT



SELECTION GUIDE

□□□□□□	□	/	□□
Reference	Contact		mounting box
CS-301A	S		SS SC CC