

SERIES CS-103/103A

ROCKER SWITCHES

SPECIFICATIONS:

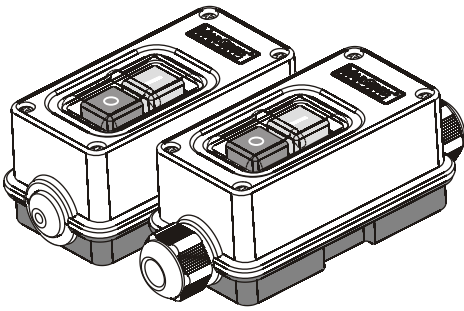
ELECTRICAL CHARACTERISTICS: 30A with resistive load in 250VAC (3 phases) or 5HP in 250VAC (Contact P)

INSULATION RESISTANCE: minimum of 1000 megaohms

DIELECTRIC WITHSTAND: 1000V (RMS) for 1 minute (minimum)

OPERATION TEMPERATURE: 0°C to 55°C

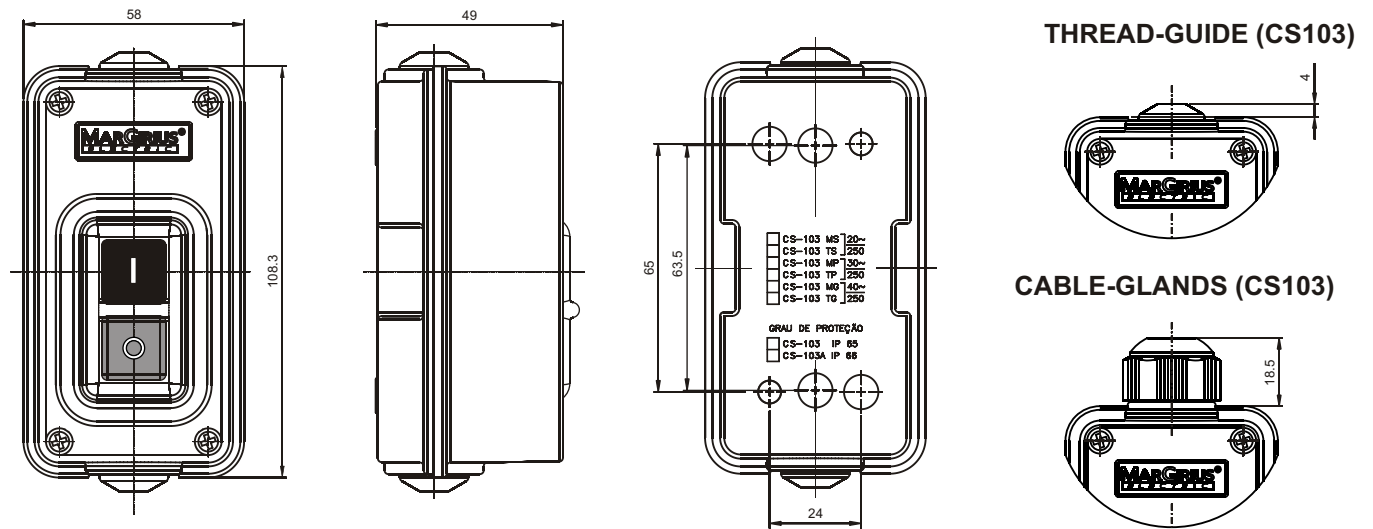
PROTECTION DEGREE: IP65 or IP66



REFERENCE

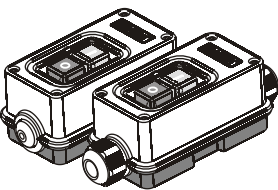
CS-103A	Cable-glands	IP66
CS-103	Thread-guide	IP65

DIMENSIONS



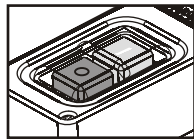
BODY

C1



ACTUATOR

A1FE - black and red
A1FG - black and gray



POLES

M - one-phase
T - three-phase

CONTACTS

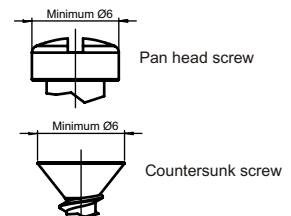
	S	P
Nominal current (A)	20	30
Nominal power (KW)	3,0	3,7
Capacity in HP		
Three-phase 250VAC	3,0	5,0
Monophase 250VAC	1,5	2,0
Monophase 120VAC	0,75	1,0

COLOR

F - black
E - red
G - gray

CARE FOR PROPER SEALING OF THE SWITCH

- Use only PP circular cables with minimum diameter of 6mm and maximum of 11mm;
- The external covering of the cable PP must exceed the cable-glands/thread-guide;
- Avoid removing the sealing ring;
- For fixing the switch, use pan head screws or countersunk screws at least Ø6mm, according to the pictures beside.



*For other options contact us.

PROTECTION DEGREE - (ABNT NBR IEC 60529)

IP65 - Totally protected against dust and water jets

IP66 - Totally protected against dust and powerful water jets.

SELECTION GUIDE

CS-□□□□	□□	□□□□	□	□
Reference	body	actuator	poles	contacts
CS-103	C1	A1FE	M	S
CS-103A		A1FG	T	P