

CS-101 SERIES

ROCKER/TOGGLE SWITCHES

SPECIFICATIONS:

ELECTRICAL CHARACTERISTICS: 30A with resistive load
220VAC (3 phases) or 4CV - 250VAC (P Contact).

INSULATION RESISTANCE: minimum of 1.000 megaohms.

DIELECTRIC WITHSTAND: 1.000V(RMS) for 1 minute (minimum).

OPERATION TEMPERATURE: from 0°C to 55°C.

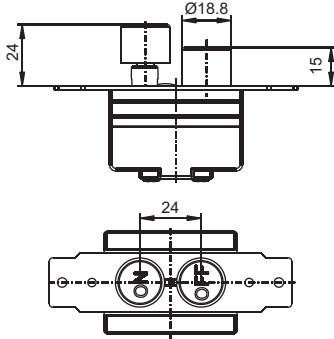


REFERENCES

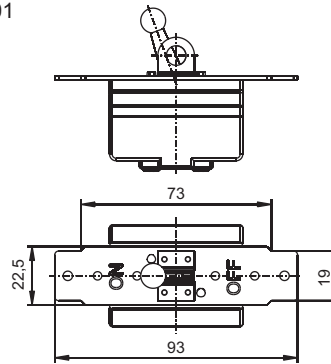
Reference	Actuators
CS - 101	Polyamide buttons
CS - 201	Toggle with lock

Reference	Actuators
CS - 301	Toggle with bushing and nuts
CS - 302	Toggle with fastening plate

CS-101

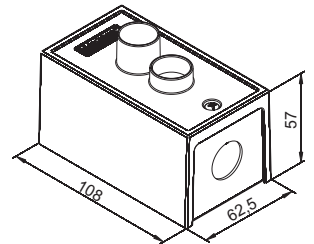


CS-201

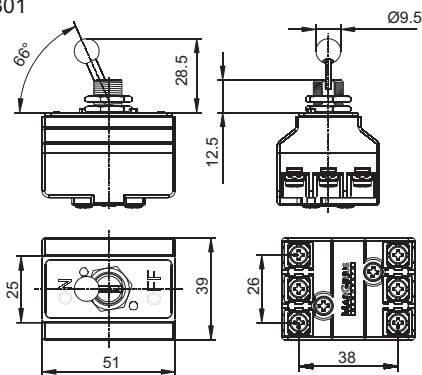


MOUNTING BOX

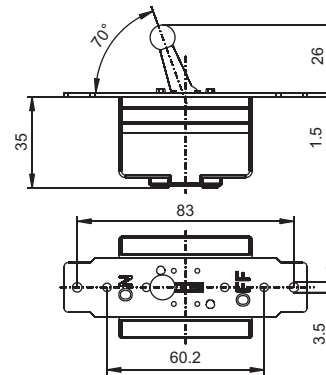
CS-101



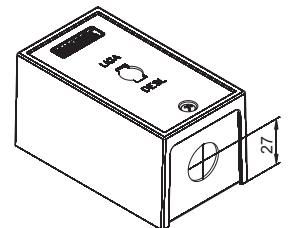
CS-301



CS-302



CS-201
CS-301
CS-302



POLES

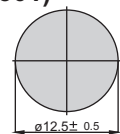
M - single-phase
T - three-phase

CONTACTS

S
20A with resistive load 120VAC/250VAC
1 1/2CV in 120VAC single-phase
2CV in 250VAC single-phase
3CV in 250VAC three-phase

P
30A with resistive load 120/250VAC
2CV in 120VAC single-phase
3CV in 250VAC single-phase
4CV in 250VAC tree-phase

CUT FOR FIT (CS-301)



MOUNTING BOX

SS - without body, without cover
SC - without body, with cover
CC - with body, with cover

Note:
Metallic box and plastic cover.

SELECTION GUIDE



Reference



poles
M
T



contacts
S
P



mounting box
SS
SC
CC