

CB-1007 AND CB-1008 SERIES

FLOAT SWITCH

SPECIFICATIONS

120 VAC: 20A with resistive load or 1CV

250 VAC: 15A with resistive load or 3CV

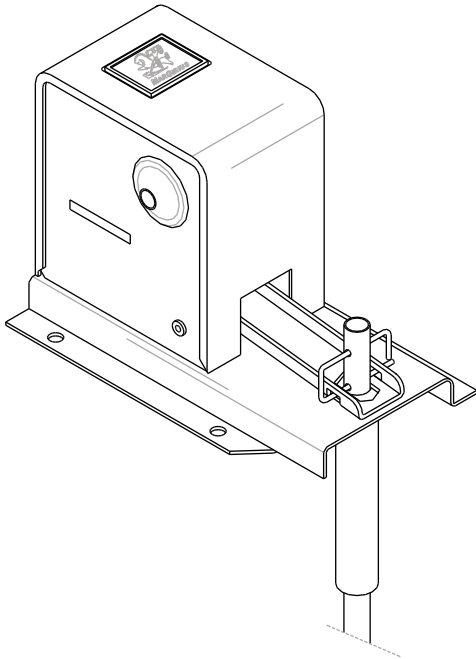
INSULATION RESISTANCE: minimum of 1.000 megaohms.

DIELECTRIC WITHSTAND: 1.000V(RMS) for 1 minute (minimum).

OPERATION TEMPERATURE: maximum of 60°C.

MATERIAL OF THE FLOAT: polyethylene.

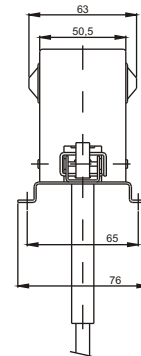
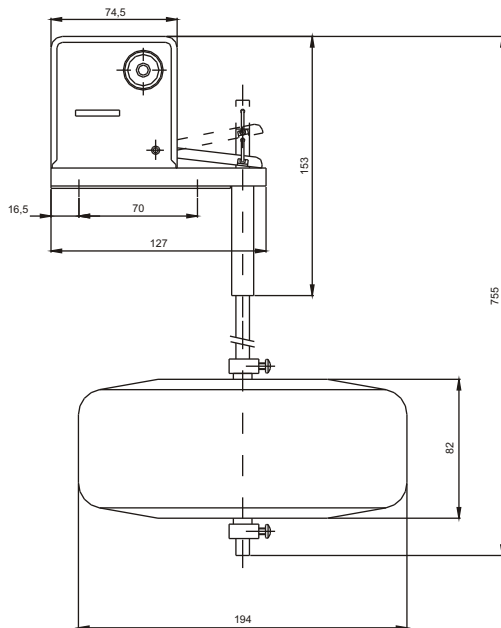
Body in steel with electrostatic painting



REFERENCES

CB-1007 - Lower tank (turn-off in the lower limit)

CB-1008 - Upper tank (turn-off in the upper limit)

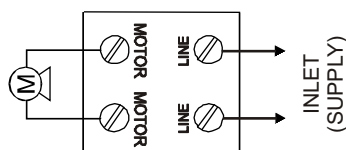


Note: - Length of the rod - 70cm (other lengths call us).
- It must not be used in flammable liquids.

OPTIONS

SV - without rod
SB - without float

DIAGRAM CONNECTION



SELECTION GUIDE

<input type="checkbox"/> <input type="checkbox"/> <input type="checkbox"/> <input type="checkbox"/> <input type="checkbox"/> <input type="checkbox"/>	<input type="checkbox"/> <input type="checkbox"/> / <input type="checkbox"/> <input type="checkbox"/>
Reference	options
	SV / SB