





ADAPTERS

SPECIFICATIONS:

Electrical characteristic: 10A in tensions until 250VAC.
 Maximum power: 2500W.
 Body material: thermoplastic.
 Several options of colors.
 Products Certified by INMETRO according to
 NBR 14936 (Adapters).

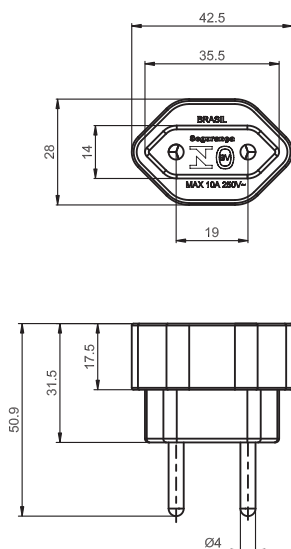


REFERENCE	Description	Nominal current (A)	Number of conductors	Type
*ADP2 - 22	Adapters 2P	10	2P	From  To 
*ADP2 - 33	Adapters 2P+T	10	2P+T	From  To 

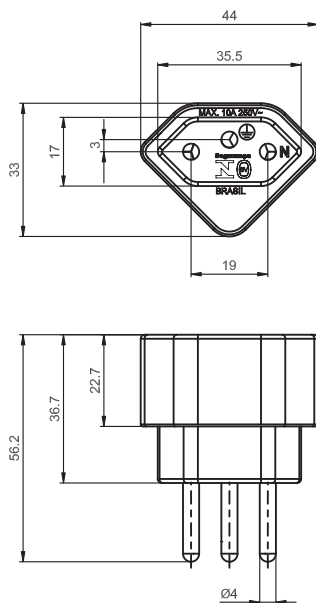
* Pins stamped of $\varnothing 4\text{mm}$.

DIMENSIONS

ADP2 - 22



ADP2 - 33



ADAPTER

Movable accessory that has only one piece that incorporate a plug in brazilian standard (NBR 14136) and an outlet (2P or 2P+T) out of standard.

COLORS

- Blue
- Bege
- White
- Gray
- Grafite
- Orange
- Mustard
- Black
- Pink
- Purple
- Green
- Red

SELECTION GUIDE

ADP	2	-	□	□	▬
Reference	Type of pin	Number of conductors	Model	Color	