

16.000 SERIES - SWITCH SET

SPECIFICATIONS:

ELECTRICAL CHARACTERISTICS: 1,5A 250V~

SUPPORTABILITY: 50.000 cycles

MAXIMUM OPERATING TEMPERATURE: 85°C

**switches
for appliances**

Certified version*



*call us

REFERENCE

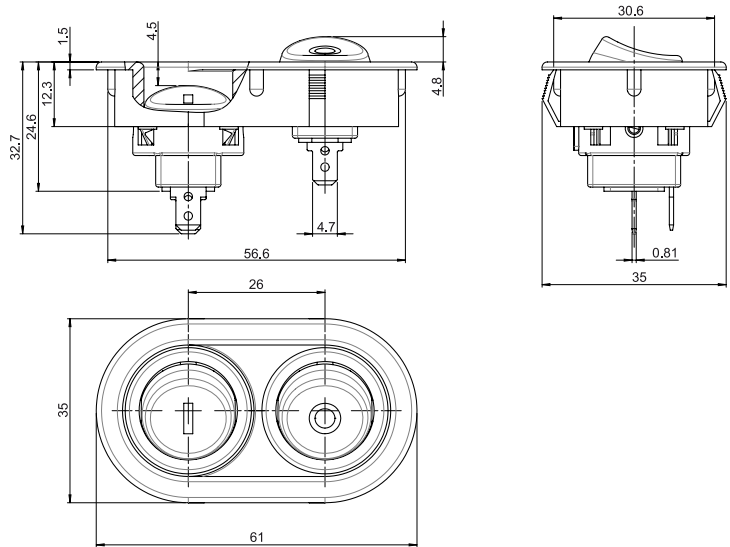
UNIPOLAR

Reference		
* 16.127	(ON)	OFF
16.129	ON	(OFF)

() Momentary

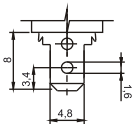
* The set consists of 2 combined switches, with independent action.

DIMENSIONS (mm)



TERMINAL

E2 - faston 4,8 x 0,8

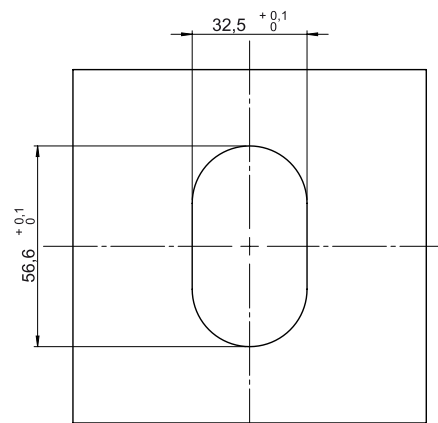


COLORS

Option 1: black frame
Key I (on) white
Key 0 (off) black

Option 2: black frame
Key I (on) green
Key 0 (off) red

FIXING CUT



PANEL THICKNESS: 0,85mm to 3,70mm

SELECTION GUIDE

16000 on-off set
 16127-BR 16129-PR
 16127-VD 16129-VM

Note: Other supply options on request.

MG[®]
MARGIRIUS