

16.000 SERIES

ROCKER SWITCHES

SPECIFICATIONS:

ELECTRICAL CHARACTERISTICS: 10A with resistive load 120VAC or 6A with resistive load 250VAC (B Contact).

CONTACT RESISTANCE: maximum of 10 miliohms with 1A DC.

INSULATION RESISTANCE: minimum of 1.000 megaohms.

DIELECTRIC WITHSTAND: 1.000V(RMS) for 1 minute (minimum).

OPERATION TEMPERATURE: 0°C to 55°C.

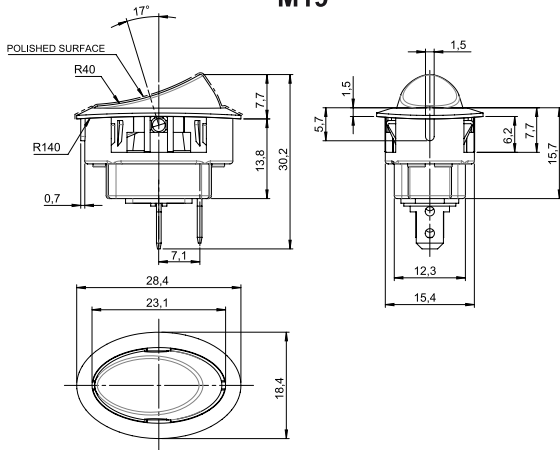


REFERENCES

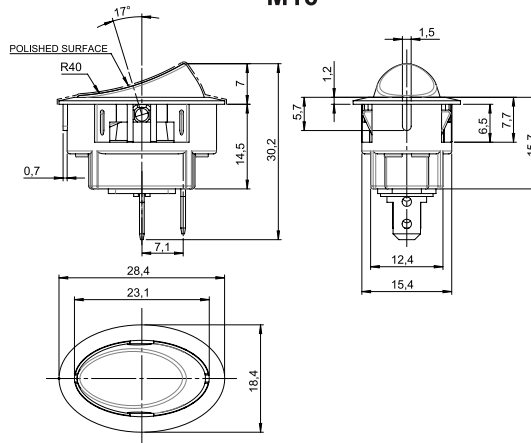
Reference			
16.101	ON	-	ON
16.103	ON	OFF	ON
16.105	(ON)	OFF	(ON)
16.107	ON	OFF	(ON)
16.108	ON	-	(ON)
16.123	ON	-	OFF
16.127	(ON)	-	OFF
16.129	ON	-	(OFF)

() momentary

M19

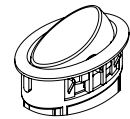


M16

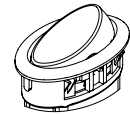


FRAME

M16# - oval

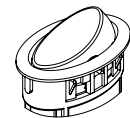


M19# - oval



ACTUATOR

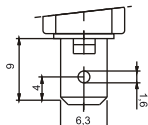
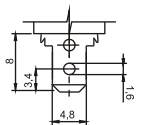
T16# - oval



TERMINALS

E2 - faston 4,8 x 0,8

E3 - faston 6,3 x 0,8



Note: The references 16103, 16105 and 16107 are available just with terminal E2.

CONTACTS

S - Standard
6A with resistive load 120VAC.
3A with resistive load 250VAC.

B - Silver
10A with resistive load 120VAC.
6A with resistive load 250VAC.

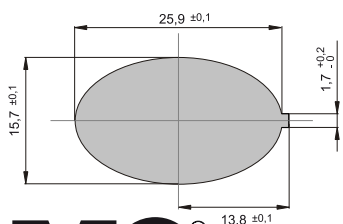
G - Silver
15A with resistive load 120VAC.
10A with resistive load 250VAC.

- COLORS

Note: Substitute # by the code of requested color.

- A - blue
- B - white
- C - yellow
- D - green
- E - red
- F - black - (standard)
- G - gray
- H - brown

CUT FOR FIT



Minimum panel thickness:
0.45mm

Maximum panel thickness:
0.65mm

SELECTION GUIDE

Reference	frame	actuator	terminal	contact
□□□□□	□□□	□□□	□□	□
M16#	M16#	T16#	E2	S
M19#	M19#		E3	B
				G

