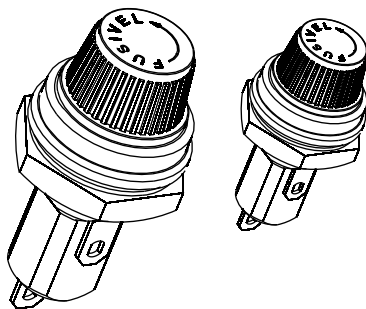


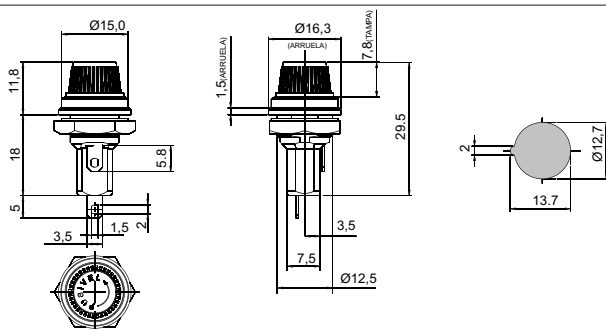
11.000 SERIES



PANEL FUSE HOLDER

SPECIFICATIONS:

CONTACT RESISTANCE: maximum of 10 miliohms with 1A DC.
INSULATION RESISTANCE: greater than 1.000 megaohms.
DIELECTRIC WITHSTAND: 1.500 V(RMS) for 1 minute (minimum).
OPERATION TEMPERATURE: from 0°C to 55°C.



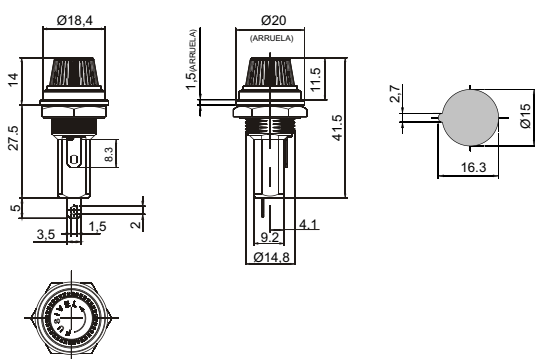
11005 REFERENCE

FUSE TYPE: 5x20mm.

ELECTRICAL CHARACTERISTICS: 15A - 110VAC / 250VAC.

SELECTION GUIDE

11005
 Reference knob color



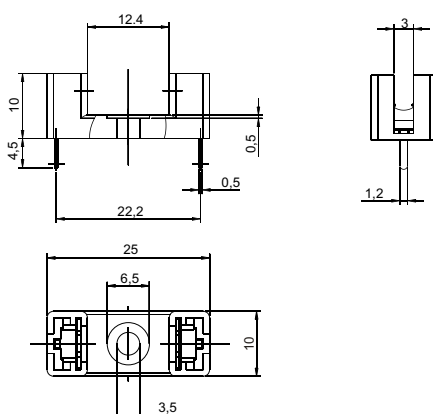
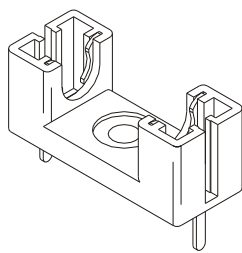
11050 REFERENCE

FUSE TYPE: 6,35x32mm.

ELECTRICAL CHARACTERISTICS: 20A - 110VAC / 250VAC.

SELECTION GUIDE

11050
 Reference knob color



FUSE CLIP

11152 REFERENCE

SPECIFICATIONS:

FUSE TYPE: 5x20mm.
ELECTRICAL CHARACTERISTICS: 6A - 110VAC / 250VAC.
CONTACT RESISTANCE: maximum of 10 miliohms with 1A DC.
INSULATION RESISTANCE: greater than 1.000 megaohms.
DIELECTRIC WITHSTAND: 1.500 V(RMS) for 1 minute (minimum).
OPERATION TEMPERATURE: from 0°C to 55°C.

SELECTION GUIDE

11152
 Reference body color

COLORS

A - blue
 B - white

C - yellow
 D - green

E - red
 F - black(standard)

G - gray
 H - brown

Note: If you do not choose any code, it will imply the standard black color F.