

MONOBLOC PILOT LIGHT (Ø 22mm)

The SN pilot lights are intended for use in machines and electrical panels in general.

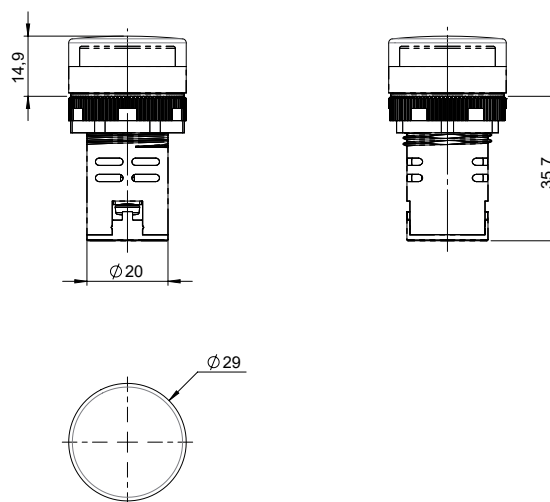
- LED technology
- Screwed connection terminals



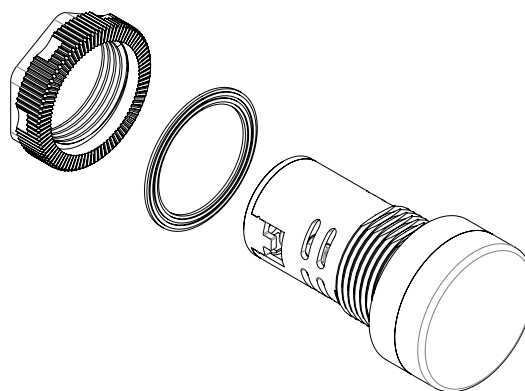
MODELS

COLOR	VOLTAGE	REFERENCE
RED	12VDC/VAC	SN-E1
	24VDC/VAC	SN-E2
	127VAC	SN-E5
	220VAC	SN-E6
GREEN	12VDC/VAC	SN-D1
	24VDC/VAC	SN-D2
	127VAC	SN-D5
	220VAC	SN-D6
WHITE	12VDC/VAC	SN-B1
	24VDC/VAC	SN-B2
	127VAC	SN-B5
	220VAC	SN-B6
BLUE	12VDC/VAC	SN-A1
	24VDC/VAC	SN-A2
	127VAC	SN-A5
	220VAC	SN-A6
YELLOW	12VDC/VAC	SN-C1
	24VDC/VAC	SN-C2
	127VAC	SN-C5
	220VAC	SN-C6

DIMENSIONS (mm)



MOUNTING



FEATURES

Applicable standard: IEC 60947-5-1
 Degree of protection: IP65
 Maximum operating temperature: 55°C
 Consumption: ≤20mA
 Frequency (VAC): 50/60Hz
 Continual working life: ≥30000h

SELECTION GUIDE

SN -	□	□
Pilot light	Color	Voltage
	A - Blue	1 - 12VDC/VAC
	B - White	2 - 24VDC/VAC
	C - Yellow	5 - 127VAC
	D - Green	6 - 220VAC
	E - Red	