

PRESENCE SENSOR PLUS

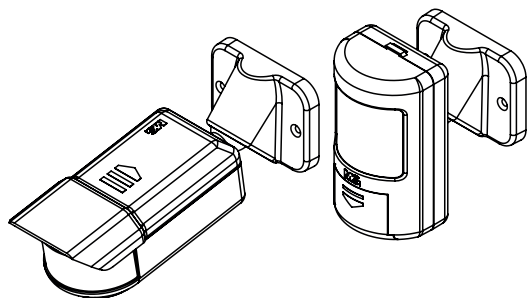
For the automatic control of lighting in circulation places, such as garages, halls, corridors and stairs.




Electronic technology (microcontrollers)

High protection against undue triggering

Load activation with voltage <50V (zero crossing)



Automatic bivolt (100 to 240V~)



Models			
Type	 Overlay Wall	 Inlay / overlay ceiling	 Protected external environment
Code	MPS-50F	MPT-70ESF	MPX-70F
Fotocell	Off / On	Off / On	Off / On
Timing	5s/1min/4min		
Sensitivity adjustment	Minimum / Maximum		
Aproximate range	10m*	18m* (diameter) 4m (height)	12m*
Actuation angle	100°	360°	180°
Standby consumption	0,38W 127V~ and 0,82W 220V~		
Operating	-5 a 40°C		

* At room temperature of 25°C

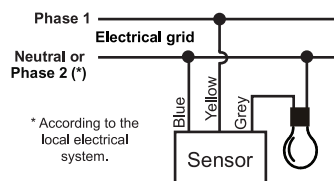
ELECTRIC CAPACITY

Type of lamp ⁽¹⁾	Voltage	
	127V~	220V~
 Fluorescent / Compact	125W	250W
 LED ⁽²⁾	250W	250W

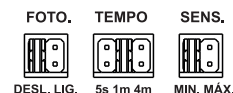
(1) To drive metal halide, sodium, mercury or mixed light lamps, use auxiliary devices such as contactors.

(2) Do not install more than 7 lamps or light fixtures in the same sensor.

WIRING CONNECTION

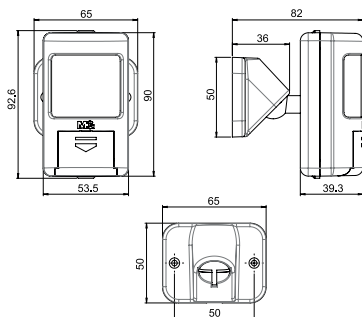


ADJUSTMENT

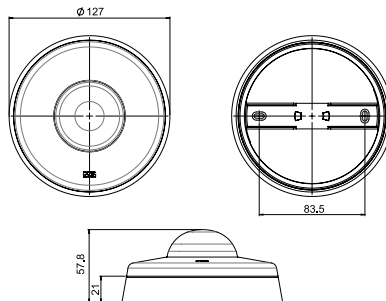


DIMENSIONS

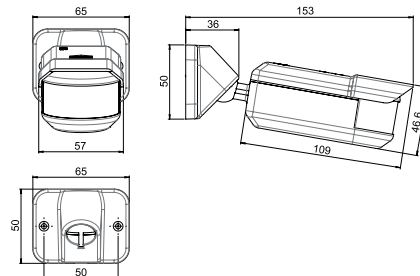
MPS-50F



MPT-70ESF



MPX-70F



SELECTION GUIDE

□□□-□□□□□

Model

Note: • The colors of the cables may be changed without previous notice.

• Observe the manual of the product before installation.

• The MarGirius sensors allow the connection in parallel or with switches to continuous action of the lamps. To verify these schemes, contact the technical department of MarGirius.